

UN/CEFACT Projects Update

AFACT TMC

12 September 2017

Chinese Taipei

TOPICS

- Code Management Project
- Supply Chain Reference Data Model
- SC Scheduling Project
- Electronic Bill Of Delivery
- Trade Facilitation Canonical Model
- Privacy Data Protection for IOT & Cloud

Code Management Project

Drafting "Code Management User Guide by the end of Sep.

Covers

This user guideline describes how to define and apply restrictions and extensions to code lists in UN/EDIFACT messages as well as UN/CEFACT XML messages. In addition, it describes example processes for validating those messages.

Issues

1. Version compatibility
2. Extending code lists
3. Restricting code lists
4. Code list variation rules
5. Temporary codes
6. Externally maintained code lists
7. Publication format for code lists

SCRDM

Project Purpose & Deliverables

Purpose:

- Development of a semantic model for the Supply Chain
- Easy to use and maintainable semantic framework
- Semantic links and guidelines

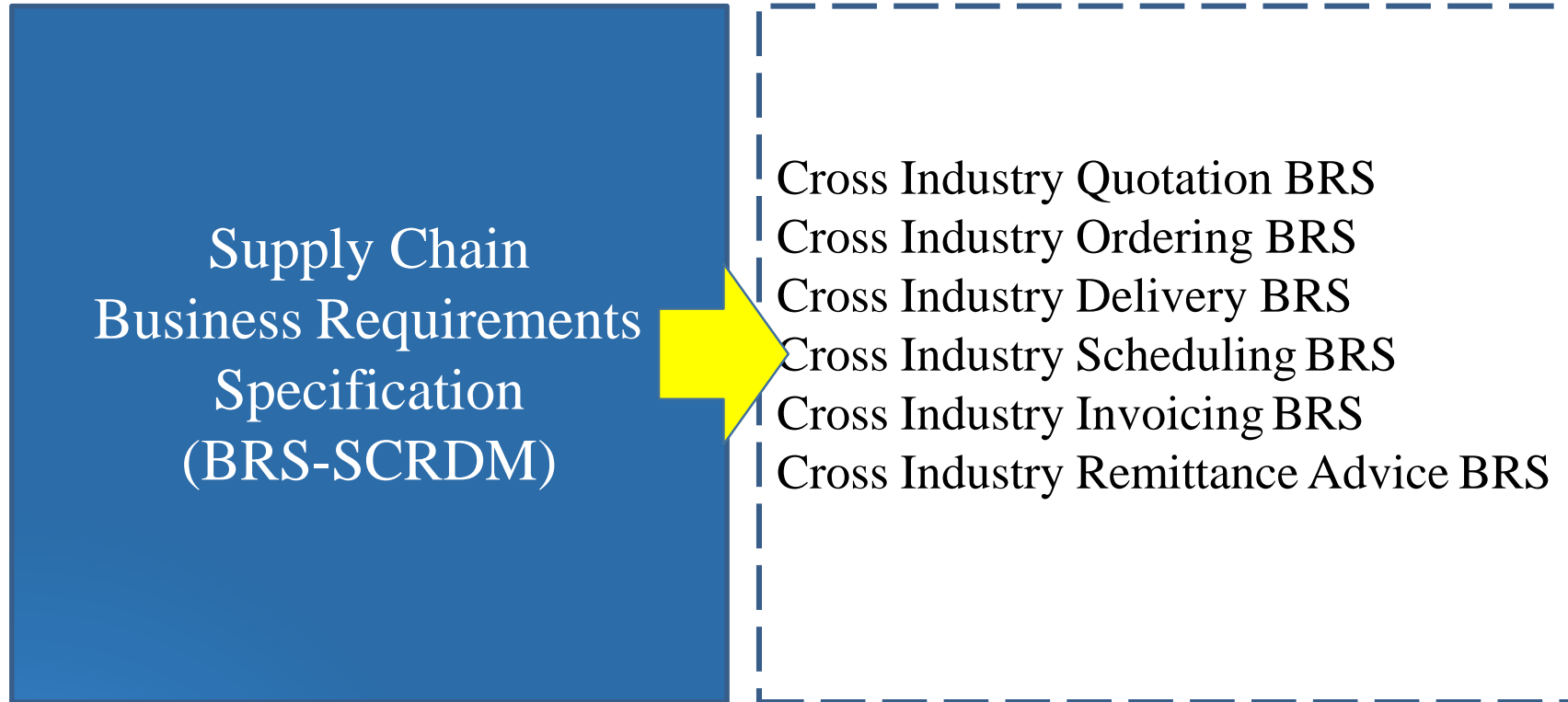
Deliverables:

- SCRDM Subset of CCL
- Semantics links
- Guidelines

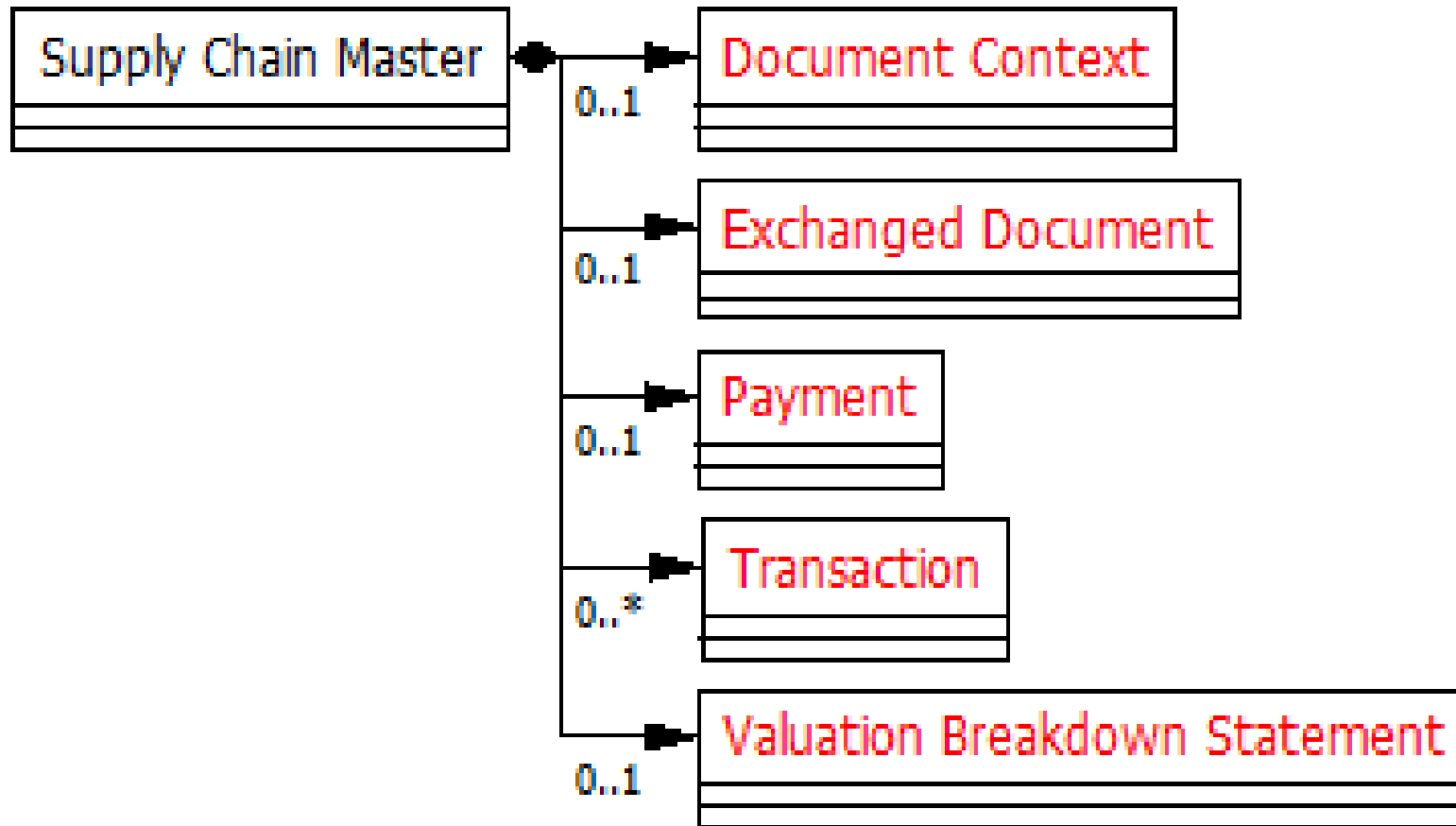
UN/CEFACT Reference Data Models

- Reference Data Model (e.g. SCRDM)
 - a subset of the UN/CEFACT Core Component Library
 - a rich collection of business artefacts from which standard business documents can be created
- The evolution:
 - creation of standard business document subsets from 'Master Structure'
 - contextual message restrictions are applied to the subset artefacts, the Master Structure and/or the business document

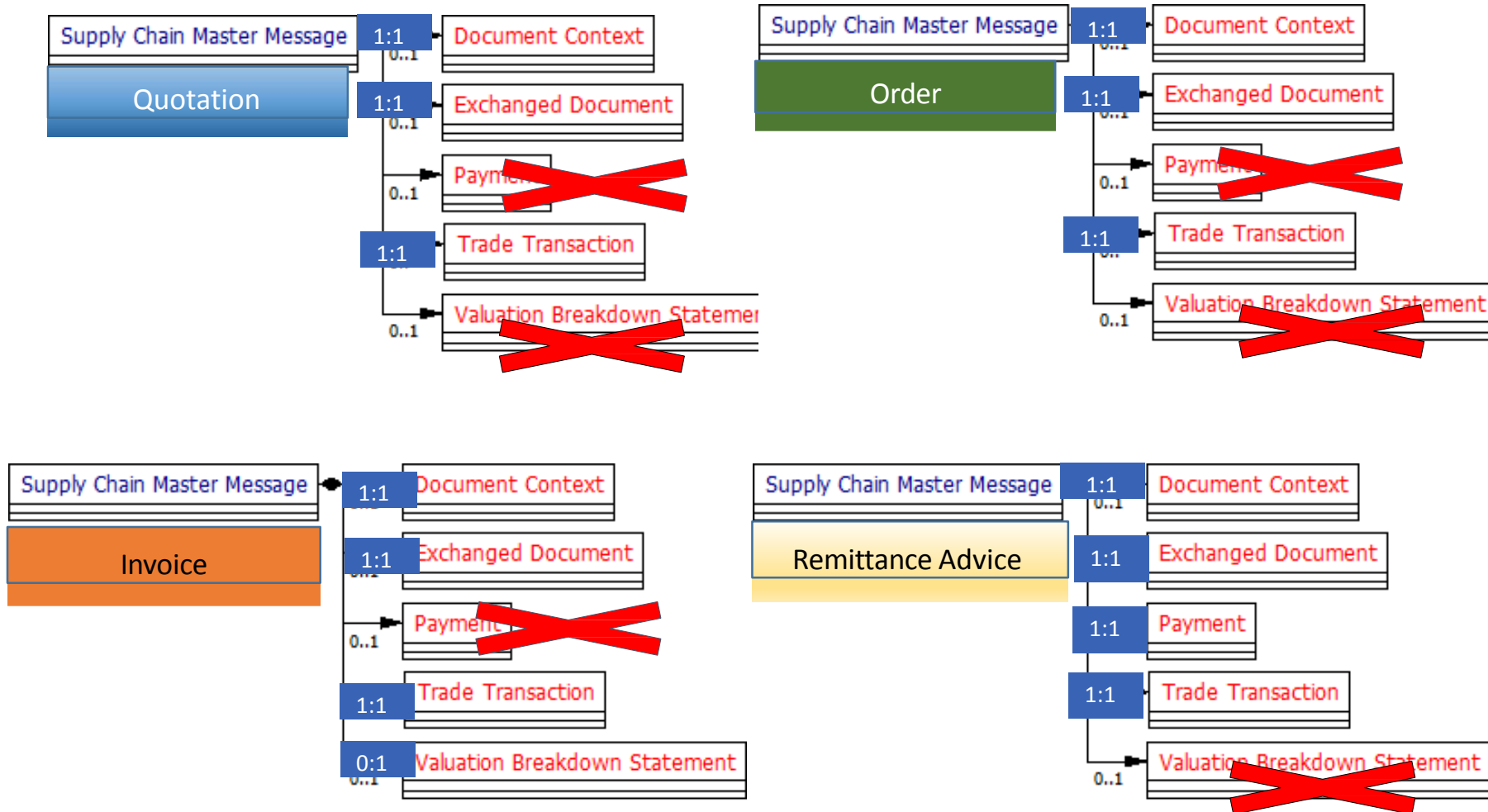
The high level: on top of BRSs



Check the master structure



Sample SCRDM CCBDA Subset Message structures



D16B (SCRDM SUBSET) RELEASE NOTES

Starting from release D16B, the publication of the process-driven schemas derived from the Supply Chain Reference Data Model (SCRDM), will be in two versions:

1. Uncoupled clm: Message schemas without the coupling Code List Modules
2. Coupled clm: Message schemas with the coupling Code List Modules

CIOH_Trade Agreement. Details



Header_Trade Agreement. Details

CIOI_Trade Agreement. Details



Line_Trade Agreement. Details

CI-SC Scheduling project Progress

Proposed by Japan and France

All the requirement issues have been solved.

BRS team review finalized.

BRS public review started. (July 12th – September 11th)

RSM & BIE preparation (Finalized in the next Forum (October))

BIE submission (November)

BIE harmonization (December – January)

Validation (February)

Publication (April)

eBOD Project Status

Proposed by Korea

VC Probert presented the T+L eBOD project. A few questions, which were raised:

- The type of delivery (Bill of Delivery) should be specified (whether this is responding to specific paper processes in today' s transactions).
- Two similar projects exist within UN/CEFACT (eCMR [p1040] and Scheduling [p1036]). The project proposers should make clear the relationship with these projects.
- The scope of the project is similar to that for the T+L Smart Containers project. It was suggested to wait until the end of the T+L Smart Containers (recently approved), as they may overlap (which could have not be known in 2015 when the project started).
- English grammar issues to be addressed by the project team.
- The Multi-Modal Transport Reference Data Model [p1023] and the Supply Chain Reference Data Model [p1030] should be referenced in this type of project.
- The project leader and the editor are from the same country. It was suggested to expand the number of countries involved in one project. A rule for this will be discussed at the F2F meeting in Paris.
- The project should not be referring only to mobile exchanges. The project should be in line with UN/CEFACT' s program of work and strategy. The focus should be on business processes and data requirements.
- In terms of deliverables, a RSM will be required between the BRS and XML messages. It must be related to MMT-RDM or SCRDM.

Trade Facilitation Canonical Model

<https://uncefact.unece.org/display/uncefactpublic/Canonical+Model>

Privacy Data Protection for IOT & Cloud

Recommendation Project prepared by Japan (The next Forum)

